



edson.com.au



edson

marine



* Marine Tanks only. For full warranty details refer to www.edson.com.au.

'Hot water wherever you are'

edson *Marine Heaters*

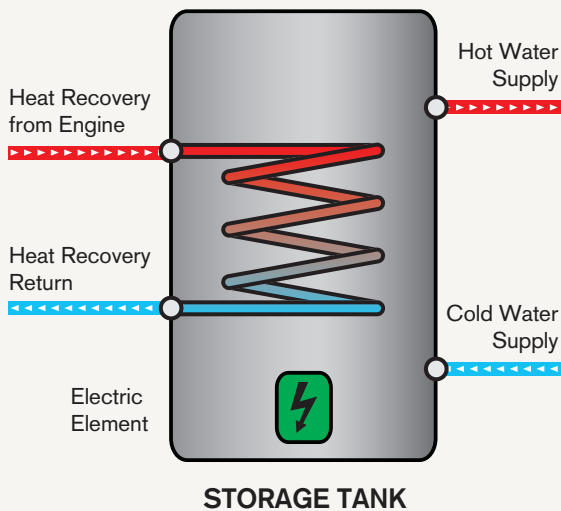
Whether cruising the blue water or relaxing dock-side, **edson Marine Heaters** will supply an abundance of hot water to your vessel. The large electric heating element will provide around 50 to 130 litres of hot water in the initial hour on our standard range, plus a continuous 30 litres per hour while moored.

Heat losses are kept to a minimum by high density insulation surrounding the copper inner tank, securely enclosed in a stainless steel casing.

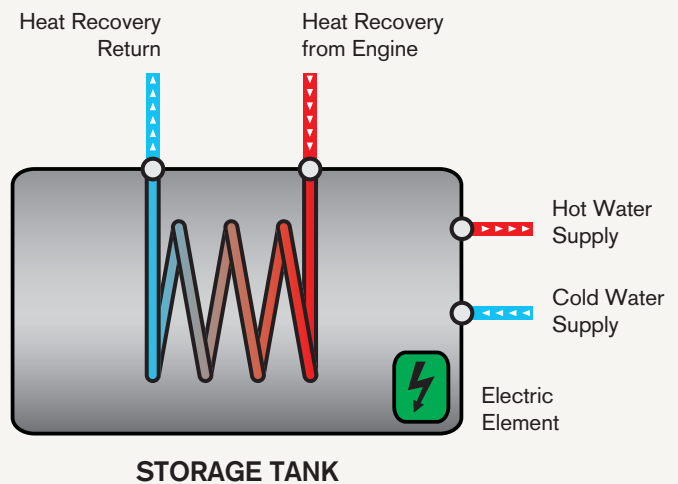
The Marine Heaters come equipped with a built-in energy cut-out thermostat, pressure relief valve, and highly efficient heat exchanger that utilises the engine coolant when under motive power (optional connection), making Edson Marine Heaters safe and reliable hot water systems.



Vertical Tank Configuration



Horizontal Tank Configuration



‘On-shore or afloat, you can rely on Edson Marine Heaters’

With a national network of product outlets, authorised resellers and a qualified network of professionals available for service, support and installation. You can trust Edson to be there for the life of your hot water system.

Marine Hot Water

Benefits of Edson Marine Heater systems:

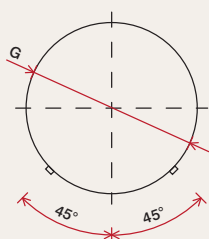
- Solid copper and stainless steel construction.
- Minimum 2 kW incoloy immersion electric element.
- High density insulation minimises heat loss.
- Available in vertical or horizontal configuration.
- Easy to install and can utilise existing plumbing.
- Wide range of spare parts available.
- Australian made and built to suit your individual requirements.
- Long life manufacturers warranty.



Specifications

Marine Heater Specifications

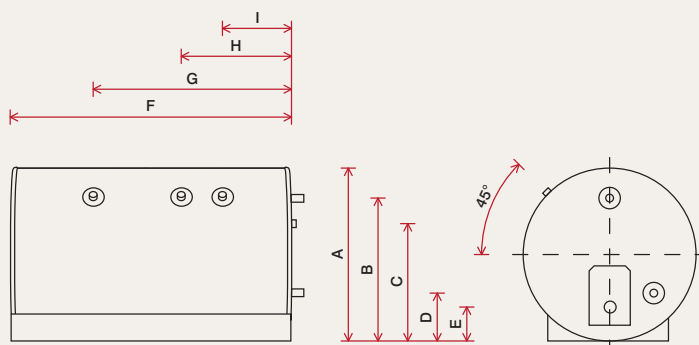
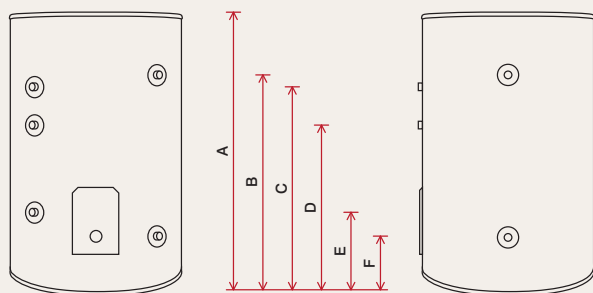
Vertical Models	BC20V	BC30V	BC40V	BC68V	BC80V	BC100V
A Height	580mm	580mm	720mm	800mm	990mm	1120mm
B Hot Water Outlet	440mm	440mm	580mm	650mm	835mm	965mm
C PTR Valve	440mm	430mm	570mm	655mm	830mm	960mm
D Coil Inlet (Optional Connection)	355mm	340mm	340mm	490mm	460mm	590mm
E Coil Outlet (Optional Connection)	140mm	150mm	150mm	170mm	220mm	220mm
F Cold Water Inlet & Electric Element (2kW)	100mm	100mm	100mm	115mm	115mm	115mm
G Diameter	305mm	380mm	380mm	430mm	430mm	430mm
Storage Capacity	20L	30L	40L	68L	80L	100L



Vertical Model



Horizontal Model



Horizontal Models	BC20H	BC30H	BC40H	BC68H	BC80H	BC100H
A Diameter	305mm	380mm	380mm	430mm	430mm	430mm
B Hot Water Outlet	240mm	315mm	315mm	340mm	340mm	340mm
C PTR Valve	260mm	325mm	325mm	365mm	365mm	365mm
D Cold Water Inlet	135mm	110mm	110mm	135mm	135mm	135mm
E Electric Element (2kW)	75mm	75mm	75mm	100mm	100mm	100mm
F Length	610mm	610mm	745mm	820mm	1025mm	1150mm
G Coil Inlet (Optional Connection)	480mm	430mm	420mm	650mm	830mm	960mm
H Coil Outlet (Optional Connection)	250mm	240mm	230mm	330mm	460mm	590mm
I PTR Valve	160mm	150mm	140mm	165mm	220mm	220mm
Storage Capacity	20L	30L	40L	68L	80L	100L

All dimensions displayed in millimetres | All information and guidelines outlined were correct at the time of printing

Edson have a full range of commercial and purpose built marine hot water services. Please contact us for more information.



edson

Sales: 1300 880 154 | Service: 1300 303 779 | Fax: 03 9548 5176
 Natural Disaster Relief: 1800 060 806+ | 95 Fairbank Road Clayton South Victoria
 Email: sales@edson.com.au | www.edson.com.au

+ For assistance in obtaining discounted product after a natural disaster